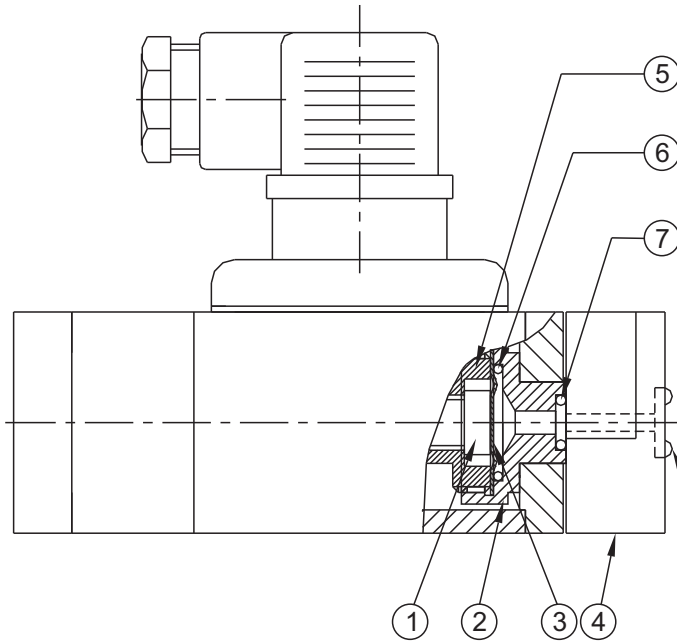


HM HIGH RANGE PRESSURE SWITCHES



PRESSURE CAPSULE DETAILS



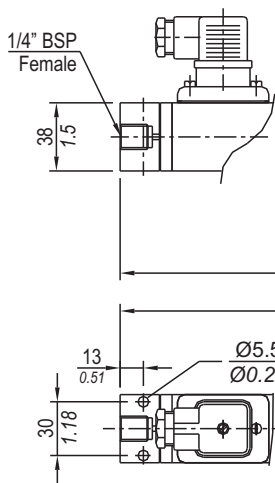
No. Description

1. Plunger
2. Pressure housing
3. Diaphragm
4. Base
5. Disc
6. High pressure seal
7. Pressure housing seal
8. Base seal (O ring)
(N.A for line mounting style)

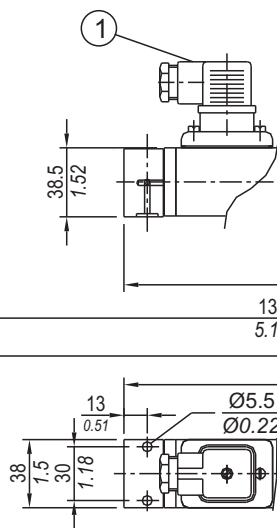
Note : *wetted parts* are mentioned in italics.

INSTALLATION DRAWING

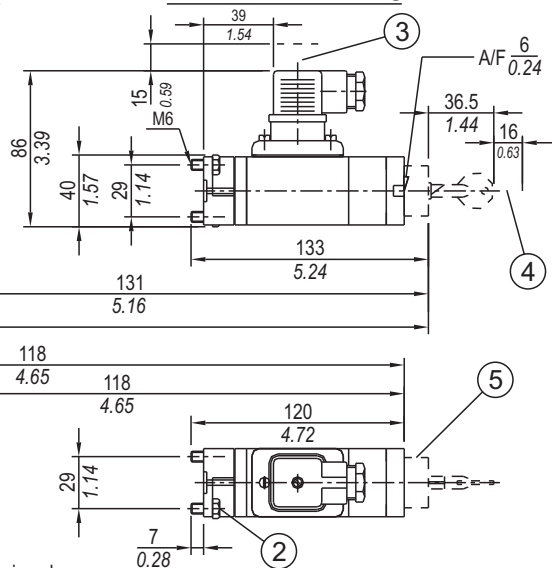
For line mounting



For subplate mounting



For vertical stacking



- ① can be rotated 90° ② two fixing screws ③ space for removing plug
- ④ space for removing key ⑤ lockable protective cap

APPROX. DIMENSIONS IN $\frac{\text{mm}}{\text{inches}}$

HIGH RANGE PRESSURE SWITCHES **HM**

General information:

HM series pressure switches have a machined aluminium powder coated enclosure and are recommended for manifold mounting hydraulic applications, where setpoints are low but working pressures are high. The repeat accuracy is better than ± 2 % FSR. A connector to DIN 43650 is provided for wiring. Three mounting styles are available.

Features:

- Compact
- Lightweight
- Three mounting styles
- low on-off differentials
- low setpoints with high working pressures
- Lockable protective cap to avoid tampering (optional)
- Choice of wetted parts to suit working media
- Electrical rating : 5A, 250 VAC; 0.2 A, 250 VDC (res.)

Some Applications : Used in high/low pressure alarms in CNC machines, manifolds/in stacks, etc.

Range Selection Table

Range Code	Range (falling pressure) bar (psi)	*Approximate Maximum Differential bar (psi)	Maximum Working Pressure bar (psi)
H01	0.2 - 1.0 (2.90 - 14.50)	0.20 (2.90)	12 (174.05)
H04	0.2 - 3.6 (2.90 - 52.21)	0.40 (5.80)	12 (174.05)
H07	0.5 - 7.0 (7.25 - 101.52)	0.40 (5.80)	12 (174.05)
H10	0.5 - 10.0 (7.25 - 145.04)	1.00 (14.50)	25 (362.6)
H15	1.0 - 15.0 (14.50 - 217.71)	1.00 (14.50)	25 (362.6)
H30	5.0 - 25.0 (72.52 - 362.6)	2.50 (36.26)	35 (507.63)

*differential rises with setpoint (Graphs available on request)

Wetted Parts Table for HM High Series.

	Standard	Optional
Pressure Housing	Aluminium	Brass
Diaphragm	Neoprene	PTFE
High Pressure Seal	Nitrile	Viton
Pressure Housing Seal	Nitrile	Viton
Base	M.S.	Brass
Base Seal	Nitrile	Viton

How to order HM High series pressure switches.

Group 1	Group 2	Group 3	Group 4	Group 5	Group 6
Model	Range Code	Base Type	Protective Cap	Wetted Parts	Enclosure
HM - High range Pressure Switch	H - High Range Pressure Switch	S - for Subplate mounting. L - for line Mounting V - for vertical Stacking	U - without any protective cap P - with a lockable protective cap	M - for Standard Wetted parts. B - for optional wetted parts mentioned in table above X - Specify wetted parts in text as per wetted parts table above.	0 - IP 65 as per IS 60529

eg. A high range pressure switch, pressure range from 0.2 to 3.6 bar, as a vertical element with a lockable protective cap & standard wetted parts with a standard enclosure shall be specified by

Group 1	Group 2	Group 3	Group 4	Group 5	Group 6
HM	H04	V	P	M	0

Please specify full model number to avoid ambiguity. If only the first two groups are specified while ordering, pressure switches with standard wetted parts will be supplied.